

JOB NAME: \_\_\_\_\_

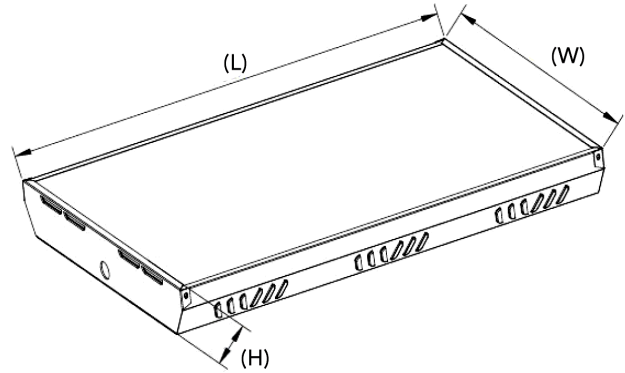
DATE: \_\_\_\_\_

TYPE: \_\_\_\_\_



**DIMENSIONS:**

46"(L) x 18-7/8"(W) x 2-6/8"(H)



**LLHB-180W-40K-D**  
**LLHB-180W-50K-D**

**LED LINEAR HIGH BAYS**

Ideal for one-for-one replacement of conventional lighting systems such as HID and fluorescent. Applications include manufacturing, warehousing and other large indoor spaces

**ELECTRICAL SPECIFICATIONS:**

- Voltage: 120~277 VAC/50~60 Hz
- Wattage: 150W
- Power factor: >0.9
- Efficacy: 155LM/W

**HOUSING SPECIFICATIONS:**

- Housing: Steel
- Steel Thickness: 24 Gauge
- With V-hooks
- Operating temperature: -40°F ~ 122°F

**CERTIFICATIONS:** UL, DLC



MODEL	WATTS	VOLTAGE	LUMENS	COLOR TEMP
LLHB-120W-40K-D	150W	100~277V AC	23250LM	4000K
LLHB-120W-50K-D	150W	100~277V AC	23250LM	5000K

**LIGHTING SPECIFICATIONS:**

- Dimming: 0~10V dimmable
- LED SMD type: Edison 2835
- Lens: Frosted PMMA (Plastic)
- Driver: Towin Driver
- Total lumens: 23250LM
- Updated higher lumens at lower wattages. Per industry standards, Lumens are reported without frosted lens (Removable)
- Color temperature: 4000K/5000K

**WARRANTY:** 5 years

